

CONSTRUCTION SPECIFICATIONS:

CONCRETE PROPERTIES: 5000 PSI (35 MPa) MINIMUM STRENGTH
 4-7% AIR ENTRAINMENT
 RISER COVER MAY BE USED WITH EXTENSIONS
 PLASTIC INLET AND OUTLET BAFFLE
 INLET AND OUTLET POLYSEALS ACCEPT 3" OR 4" ABS OR PVC PIPE
 DIMENSIONS IN INCHES AND (mm)
 MEETS CSA-B66-05
 REINFORCING MEETS: G30.14.M1983
 : ASTM C1116 TYPE III

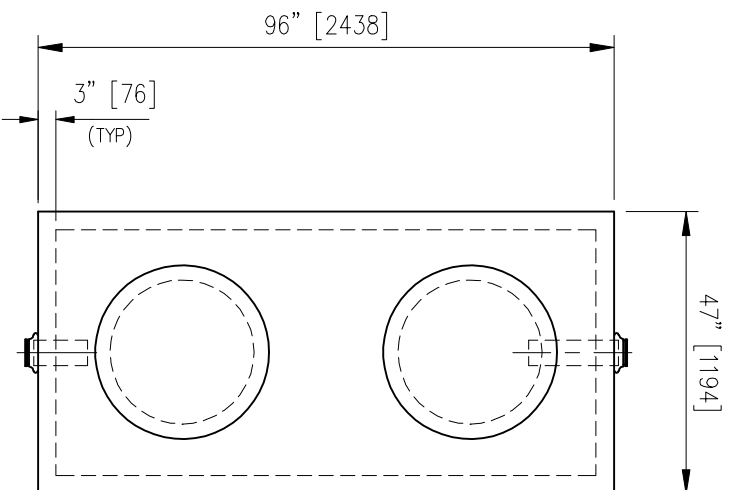
ENGINEERED FOR 1m OF BURIAL DEPTH.

MATERIALS:

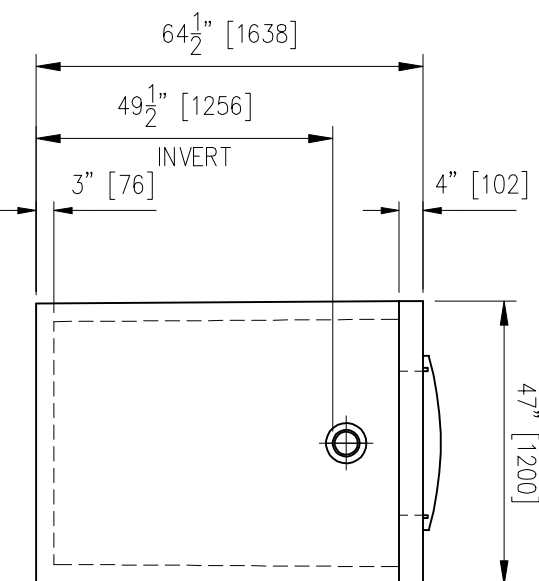
CONCRETE: TYPE 10 PORTLAND, 35 MPa AT 28 DAYS
 STANDARD SEE B66-05 SECTION 5

NOTES:

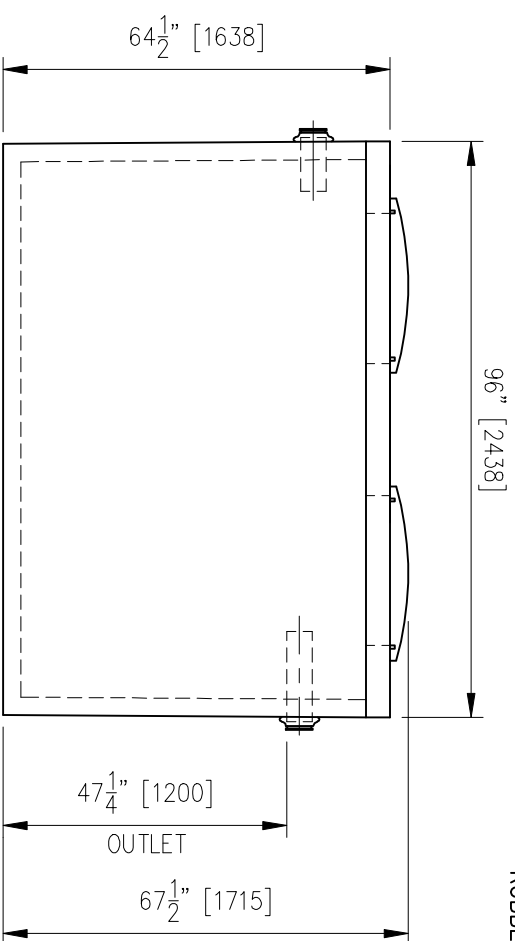
1. DELIVERY IS MADE BY CRANE EQUIPPED TRUCKS, EXCAVATION SHOULD BE 1FT LARGER THAN TANK MINIMUM DIMENSIONS AND BE ACCESSIBLE FOR UNLOADING FROM THE REAR OF THE TRUCK. MINIMUM OVERHEAD CLEARANCE OF 18FT IS REQUIRED.
2. FOR INSTALLATION INSTRUCTIONS, REFER TO CSA AND STANDARD PRACTICES MANUALS.



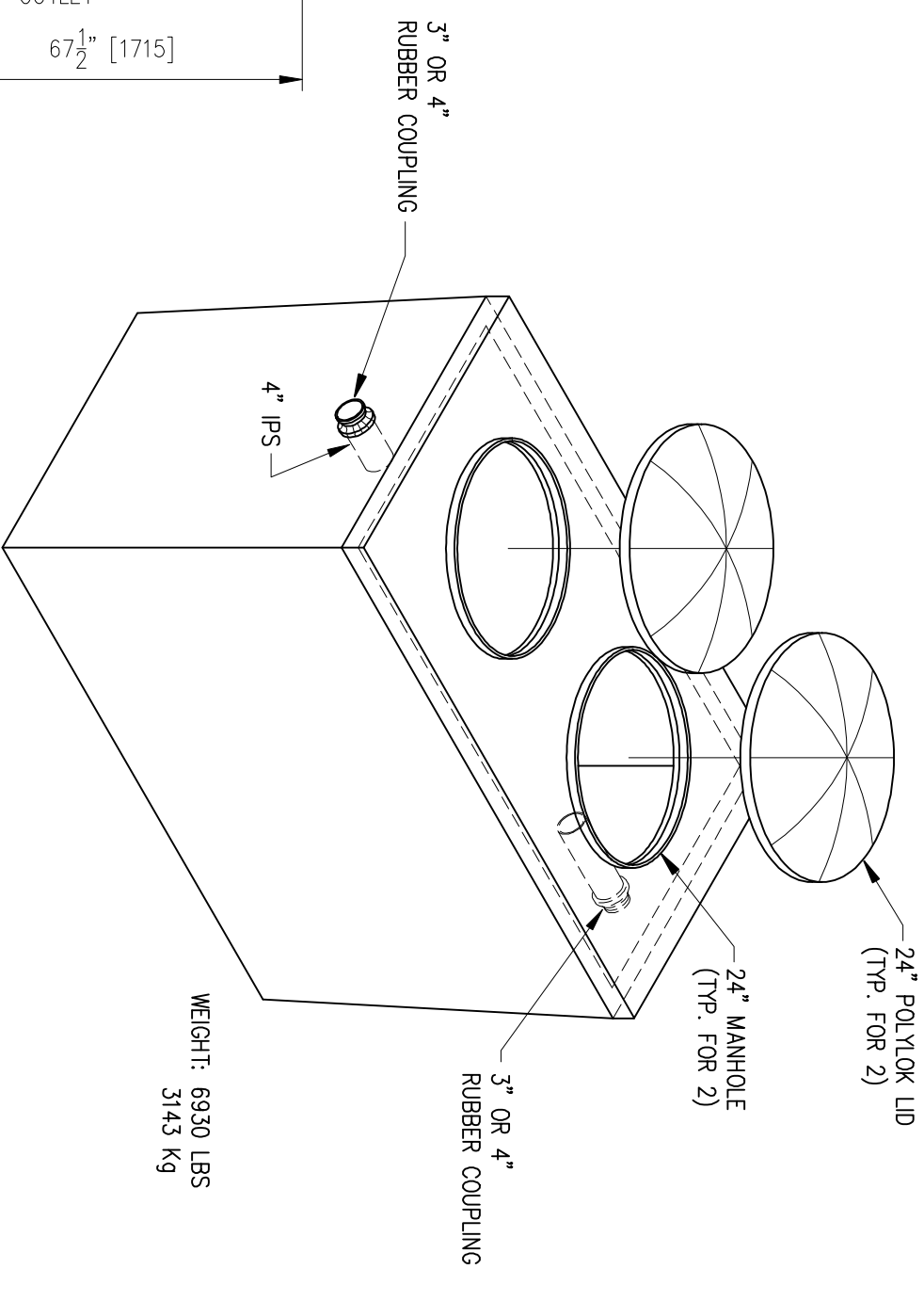
TOP VIEW



FRONT VIEW



END VIEW



WEIGHT: 6930 LBS
 3143 Kg



SCALE: 3/8"=1'-0"

1	AS BUILT	REV. REINFORCING MEETS AND MANHOLE SIZE	KC	AD		07/27/09					
REV NO	ISSUED FOR	REVISION DESCRIPTION	DWN	DES	CHK	APP	DATE	REF NO	DWG NO		REFERENCE DRAWING

MANCO
 SEPTIC SOLUTIONS

750 IMP. GALLON (3405 LITRES)
 PUMP CHAMBER
 LAYOUT

DP MACHINE AND DESIGN LTD

DES	DWN	CHECK	DATE	DRAWING NUMBER	REV
AD	KC		05 10 10	PUMPCHAMBER-750	1